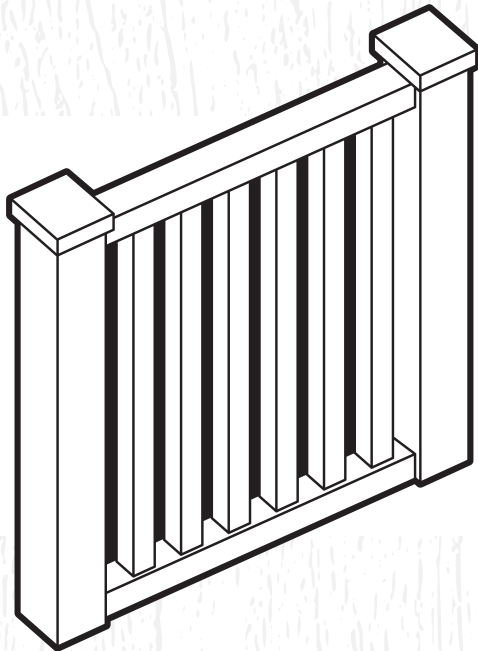


**BALUSTRADE KIT  
INSTRUCTION MANUAL**

# ALLUR

LONG-LASTING COMPOSITE DECKING



**DESIRE THE HAPPY OUTDOORS  
[WWW.ALLUR.CO.UK](http://WWW.ALLUR.CO.UK)**

## RECOMMENDED PPE & TOOLS

The following items are recommended while installing our balustrade kit:



**SAFETY GLASSES**



**SAFETY GLOVES**



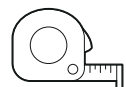
**DUST MASK**



**SAFETY FOOTWEAR**



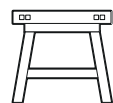
**EAR PROTECTION**



**MEASURING TAPE**



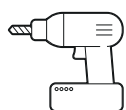
**SPIRIT LEVEL**



**SAWHORSE / BENCH**



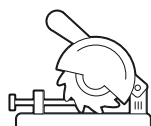
**COMBINATION SQUARE**



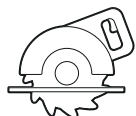
**DRILL**



**JIGSAW**



**CHOP SAW**



**CIRCULAR SAW**

Standard wood working tools are ideal for cutting/adapting our balustrade kit. All circular/chop saw blades to be of the TCT (tungsten Carbide tipped) fine teeth give better cutting results, 40t-48t for circular saw blades and 60t minimum on a chop saw.

**Use a 3mm HSS drill bit for pre drilling the composite balustrade.**

**WARNING!** Allur hold no responsibility for installations that are not carried out in accordance with the instructions provided. Failure to install in accordance to these instructions will invalidate the product warranty.

## INSTALLING DECKING BALUSTRADES

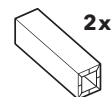
It is the responsibility of the installer to understand and meet building regulations concerning decking balustrades and safety requirements. Our instructions are only a guide, the installer should determine suitable fastenings and techniques to suit the needs of the project situation.

Allur Decking Balustrade has been tested in accordance with BS 6399-1:1996 for Domestic and Residential use.

### IMPORTANT INFORMATION!

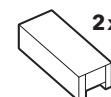
Please note that no opening is permitted to be more than 100mm, this includes spaces between the spindles and the gap under the base rail and the surface of the decking. **Please use the spindle template supplied.**

### BALUSTRADE KIT INCLUDES:



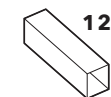
**2x**

**POST SLEEVE**  
95 x 95 x 1200mm



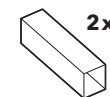
**2x**

**HANDRAIL / BASERAIL**  
93 x 45 x 1800mm



**12x**

**SPINDLES**  
54 x 54 x 930mm



**2x**

**FEET SUPPORT**  
54 x 54 x 100mm



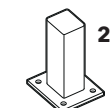
**28x**

**SPINDLE INSERTS**  
42.6 x 42.6mm



**4x**

**L BRACKET**  
65 x 65mm



**2x**

**METAL POST SUPPORT**  
128 x 128 x 800mm



**8x**

**POST BOLTS**  
6 x 100mm



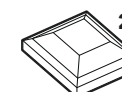
**40x**

**LONG BLACK SCREWS**  
3.5 x 24mm



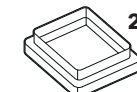
**14x**

**LONG SILVER SCREWS**  
4.2 x 45mm



**2x**

**POST CAP**  
119 x 119 x 31mm

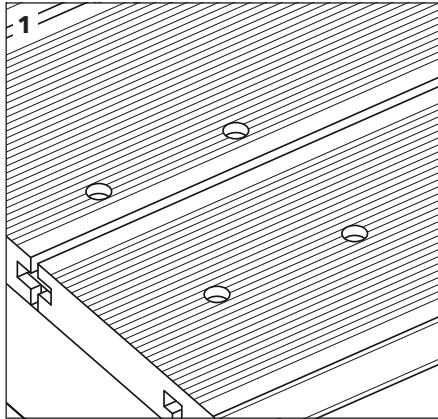


**2x**

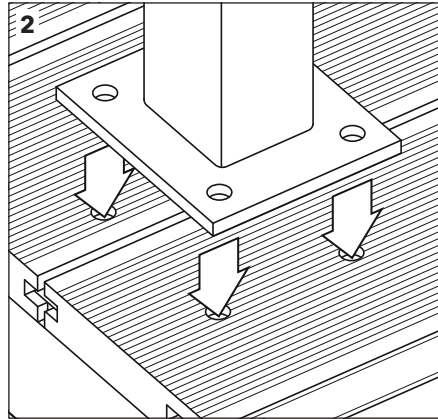
**POST SKIRT**  
134 x 134 x 50mm

As a **1800mm** kit, the centres between the metal posts are measured at **1895mm**. Take care to set out your first post as this will determine where your balustrade will finish. Using the foot of the metal post mark out the 4 fixing holes but make sure the foot is centred and square to the intended run. Additional framework may be required to provide suitable stable fixings for the post fasteners to fix into.

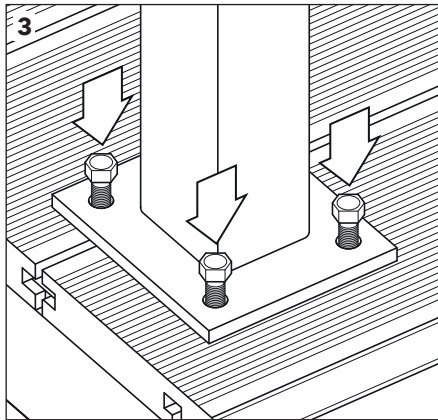
Once your balustrade area has been established and you are happy with the post placement, drill through the decking board using a 5mm drill to a depth of (80mm) to suit the supplied fixings. **PLEASE NOTE:** If using other fixings please follow manufacturers advice.



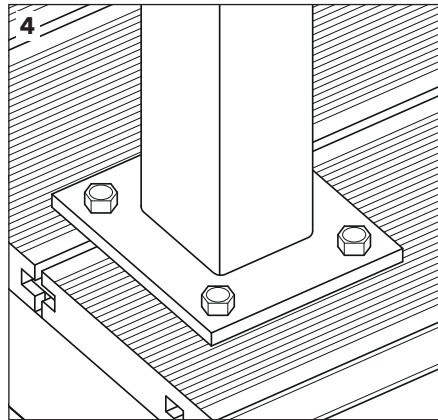
Using a 5mm drill bit, drill 4 holes to a depth of 80mm.



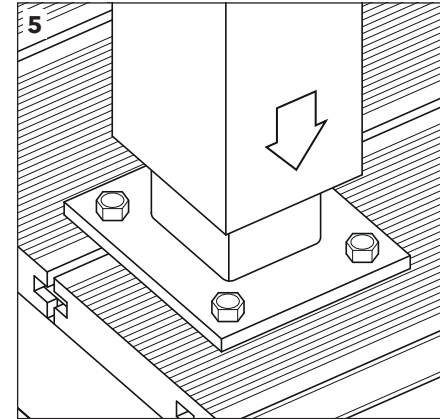
Lower the post into place, lining up with your 4 holes.



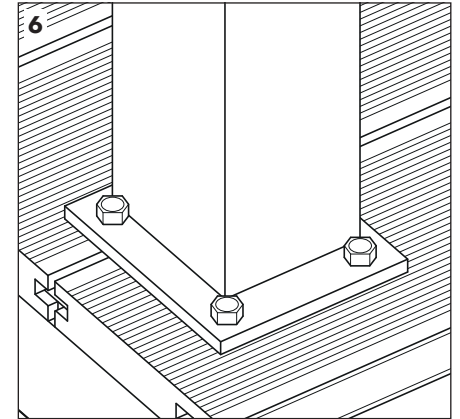
Check the post is lined up correctly and offer the bolts into place.



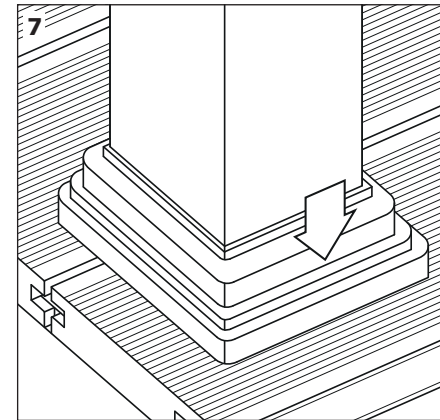
Securely bolt down the post.



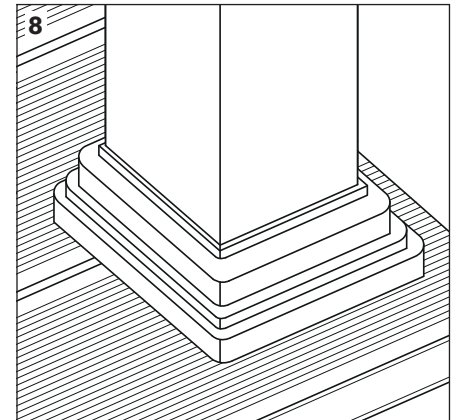
Once the bolts are secure, lower the post sleeve over the metal post.



Until the sleeve fully covers the metal post.

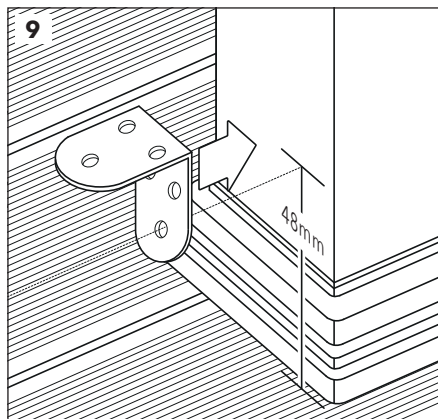


Slide the post collar down to the foot of the post sleeve.

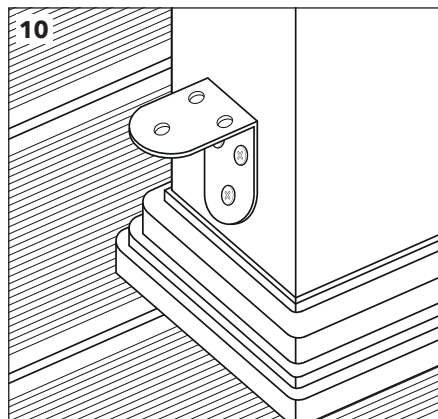


Repeat the process on the neighbouring post.

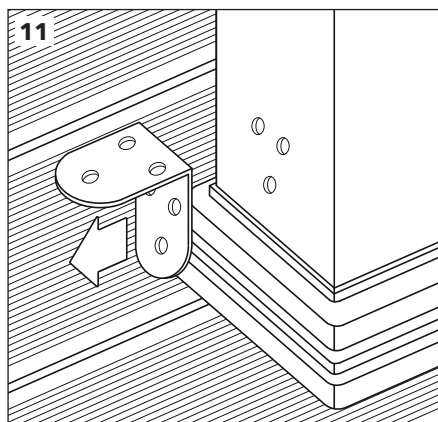
Mark the posts centrally 48mm from the face of the decking board. Using a 3mm drill, carefully drill into the post sleeve and metal post, this will be the fixing point for the middle screw in the L shaped bracket. Temporarily attach the brackets in place using the 45mm long screws supplied. Once all posts are pre drilled remove the brackets and keep safe for attaching at a later stage.  
**PLEASE NOTE:** 3mm HSS drill suitable for drilling into steel will be required.



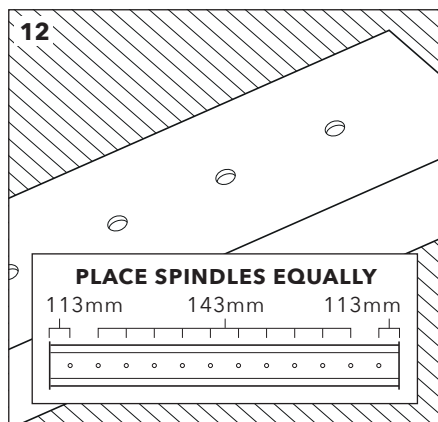
Line up the middle screw of the L shaped bracket 48mm up.



Temporarily attach the bracket with the 45mm long screw supplied.

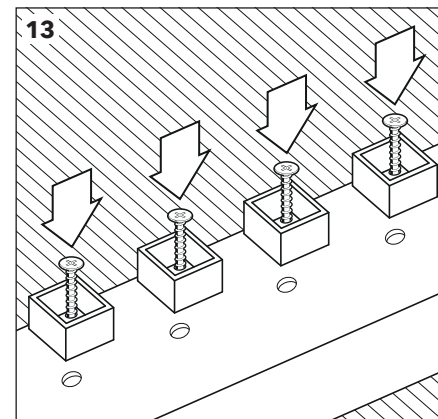


Repeat on the other post, then remove the L shaped brackets.

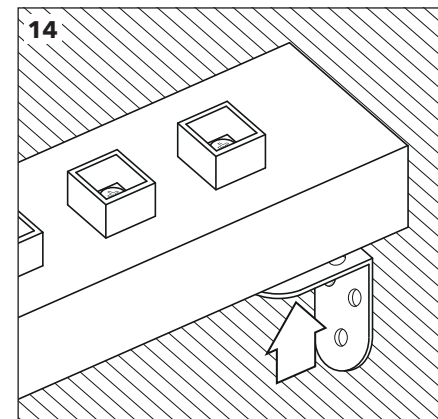


Space your spindles equally along the rails, pre drilling holes with a 3mm drill. Using the template supplied.

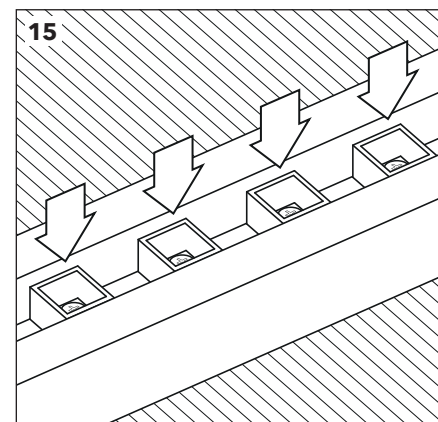
Once the posts are set, arrange the spindles at the required distance to conform with current UK building regulations. If you need to cut down the span of the kit please adjust the spacing accordingly. Mark out the base rail centrally along its length as per the supplied template. Before pre drilling holes with a 3mm drill for the spindle inserts, attach them into place with 24mm screws and repeat along the underside of the hand rail to match. **Do not over tighten the screws.**



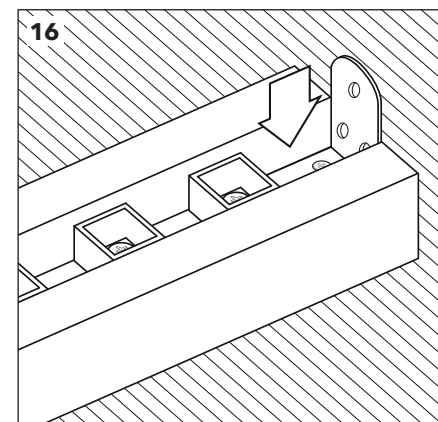
Attach the spindle inserts to the **base rail** using 24mm screws.



Attach the L bracket to the underside of the **base rail** using the 24mm screws.

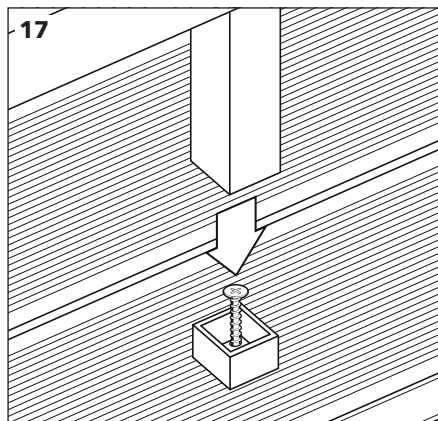


Repeat the process on the **hand rail**.

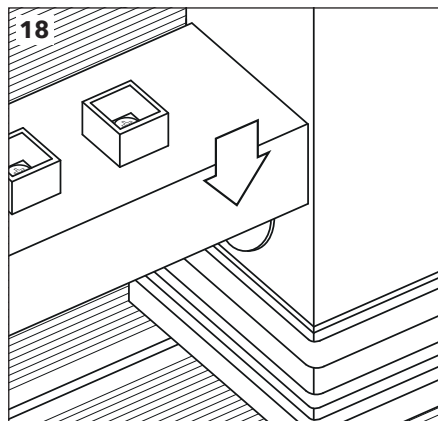


Attach the L bracket to the underside of the **hand rail** using the 24mm screws.

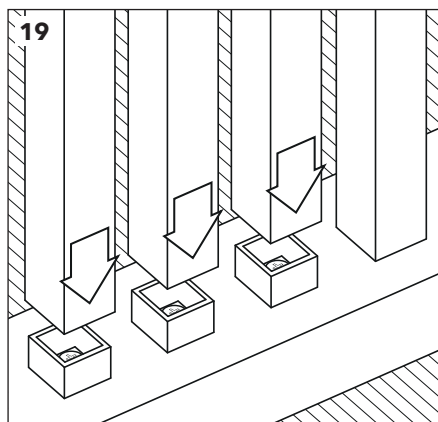
For extra stability, fix spindle inserts directly into the decking, measure 590mm from either post, or if the base rail has been cut, measure equally across the gap of your base rail. The foot support simply pops into place to provide extra stability for the base rail. Lower the base rail with L shaped brackets in position, lining up the brackets with your pre-drilled posts holes and fix in place using the 45mm long silver screw provided. **Do not over tighten the screws.**



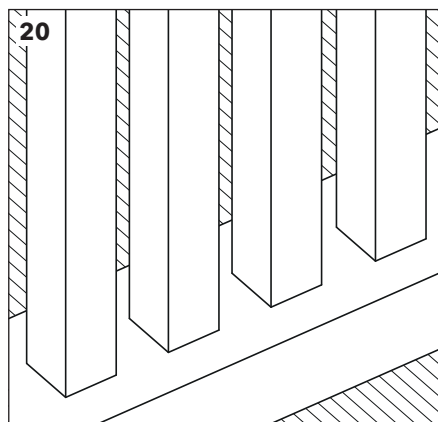
For extra stability, fix foot supports using the spindle inserts.



Lower the **base rail** into position and screw the brackets to the posts.

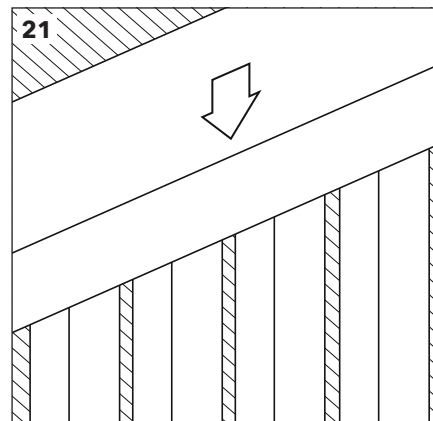


Once the **base rail** is in place, connect your spindles onto the spindle inserts.

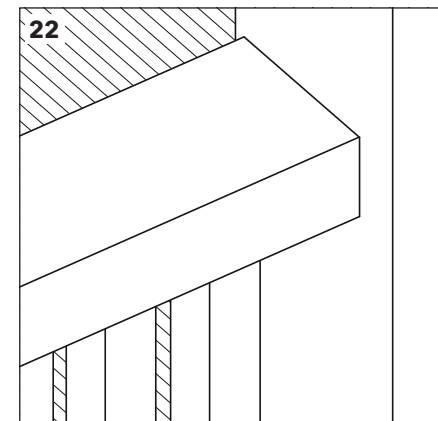


Continue until all spindles are fixed into place.

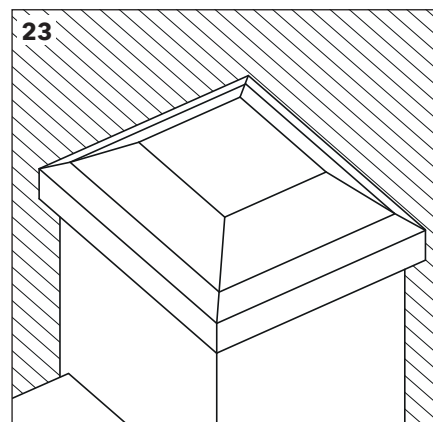
Line up the hand rail with the spindles before gently tapping the rail into place using a rubber mallet. Check all screws across your brackets and rails are securely attached to the posts. Press the post caps in place to complete the kit. Repeat the steps until your balustrade area is complete.



Lower the **hand rail** into position.



Once the **hand rail** is in position screw the brackets to the posts.



Press the post cap in place. Repeat the steps for all remaining balustrade.





# **ALLUR**

LONG-LASTING COMPOSITE DECKING

**[WWW.ALLUR.CO.UK](http://WWW.ALLUR.CO.UK)**