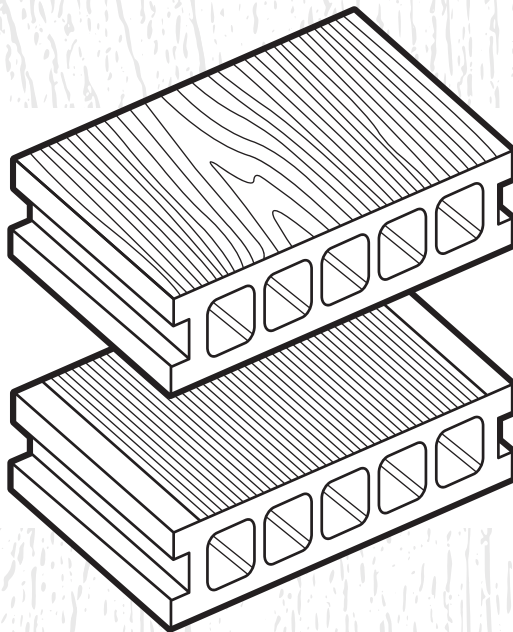


**INSTRUCTION MANUAL**

# **ALLUR**

**LONG-LASTING COMPOSITE DECKING**



**DESIRE THE HAPPY OUTDOORS**  
**WWW.ALLUR.CO.UK**

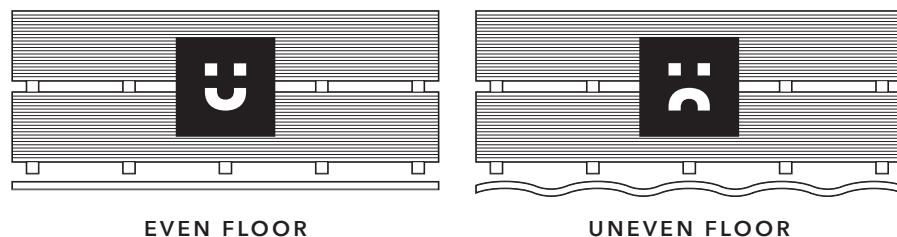
## STORAGE

Ensure a suitable, flat area is cleared to store your decking prior to installation. Laying your deck boards on wooden battens at approximately 400-500mm centres will ensure that the boards avoid any sitting water, dirt or grit that may scratch or damage the boards ahead of installation.

## HOW TEMPERATURE & STORAGE CAN AFFECT YOUR DECKING

Composite materials are receptive to temperature. Allow a period of at least 24 hours prior to installation for your deck boards to acclimatise to the outside environment.

Deck boards once delivered need to be stored on battens equally spaced 400-500mm apart and kept as level as possible.



Take extra care when lifting, moving or fitting boards to avoid accidental scratching. Do not drag, slide or drop boards when laying over one another. Keeping your work area as tidy as possible will help to keep the surface of the boards free of any construction debris.

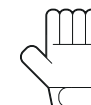
When storing your boards outside be sure to cover them with a layer of sheeting.

## RECOMMENDED PPE & TOOLS

The following items are recommended while installing our decking:



SAFETY GLASSES



SAFETY GLOVES



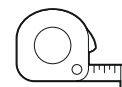
DUST MASK



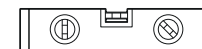
SAFETY FOOTWEAR



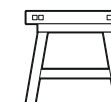
EAR PROTECTION



MEASURING TAPE



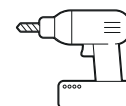
SPIRIT LEVEL



SAWHORSE / BENCH



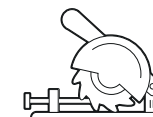
COMBINATION SQUARE



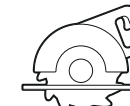
DRILL



JIGSAW



CHOP SAW



CIRCULAR SAW

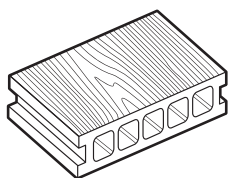
Standard wood working tools are ideal for cutting/adapting our decking boards. All circular / chop saw blades to be of the TCT (tungsten Carbide tipped) fine teeth give better cutting results, 40t-48t for circular saw blades and 60t minimum on a chop saw.

Use a 3mm drill bit for pre drilling the composite joist's, decking, fascia boards and balustrade.

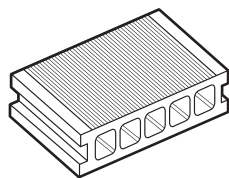
**WARNING!** Allur hold no responsibility for installations that are not carried out to instructions provided or substandard craftsmanship. Failure to install in accordance to these instructions will invalidate the Product Warranty.

## DECKING COMPONENTS

Please ensure you are familiar with all decking components prior to starting.

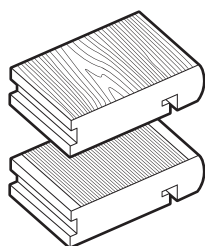


WOOD GRAIN SIDE

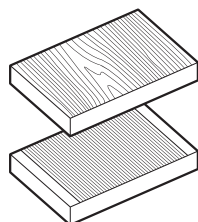


GROOVED SIDE

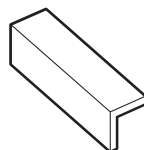
## DECKING ACCESSORIES



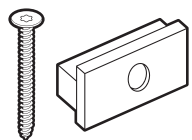
DECKING STARTER



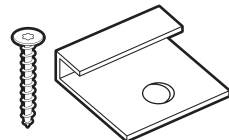
FASCIA BOARD



CORNER EDGING STRIP



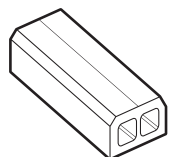
PLASTIC T CLIP & SCREW



STARTER CLIP & SCREW



COLOURED SCREW



JOIST

## GENERAL CONSIDERATIONS - CONTRACTING & EXPANDING

Composite decking naturally contracts and expands in varying temperatures. Our T Clip installation system allows for adequate side-to-side spacing to manage these effects. However, it is advised that suitable gaps should be maintained at end-to-end joins or where decking boards are butted up to each other.

## GENERAL CONSIDERATIONS - COLOUR CHARACTERISTICS

Composite deck boards will undergo a level of weathering (lightening-up) within the initial 3-6 months of installation. This initial weathering process is a result of the boards reacting to UV rays. Once this process has taken place, the rate of change will be nominal.



You may also notice a slight colour difference between the fascia, bullnose, trims and your deck boards especially if you are installing the boards wood-grain side up. Once the boards have been weathered colour / tone difference will diminish.

## GENERAL CONSIDERATIONS - WASTAGE

Unless using just the length of the decking boards you will incur wastage with cutting to fit, we recommend adding 5-10% wastage for your project dependant on layout.

## SUB FRAME

Decking should not be installed without a framework in place. All deck boards must be installed directly onto a load bearing sub frame of plastic or timber joists. Allow a minimum of 35mm space beneath the decking sub frame to ensure adequate airflow beneath the structure.

## SUB FRAME CONSIDERATIONS

If you are building your decking next to your house, make sure it's below the damp proof course and that you don't foul any air bricks. Incorporating a fall in the frame work or base will aid in the run off of water.

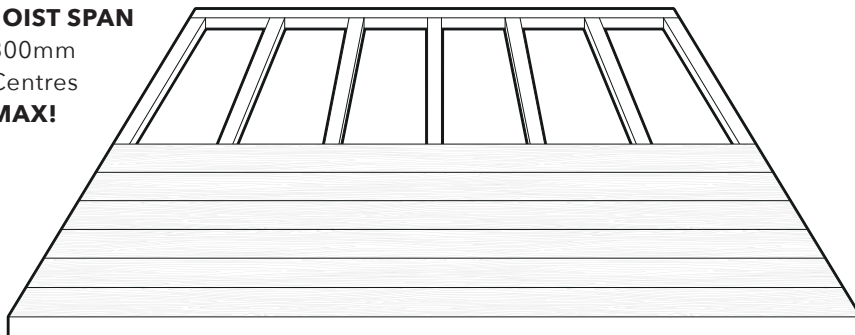
Considering the size and orientation of your new deck early will help in calculating materials, differing laying patterns require specific placement / spans of joists.

**Please Note:** If your deck platform is more than 300mm from the ground may need planning permission. Please see page 25 for more details.

## SUB FRAME - HORIZONTAL

Using the length of the decking boards laid at 90° degrees to the joist is the most popular and efficient use of materials.

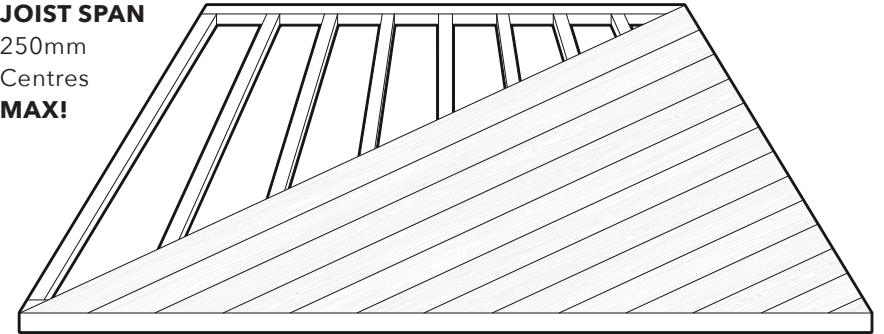
**JOIST SPAN**  
300mm  
Centres  
**MAX!**



## SUB FRAME - DIAGONAL

To create a diagonal pattern decking boards are laid at 45° degrees to the joist. However a diagonal design will require more cutting and so a 15% factor should be factored in.

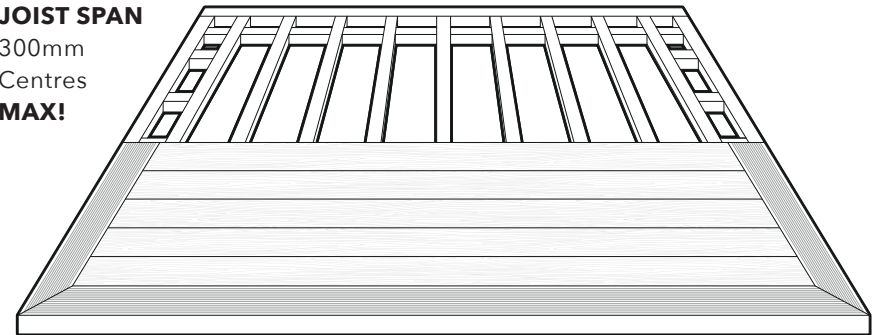
**JOIST SPAN**  
250mm  
Centres  
**MAX!**



## SUB FRAME - PICTURE FRAME

The outer decking boards are mitred to provide a border around your main deck, this could be with contrasting colour or style, but will require more joist's to support the decking boards correctly!

**JOIST SPAN**  
300mm  
Centres  
**MAX!**



## COMPOSITE JOISTS

Our Composite Joists are a moisture-resistant, long-life sub frame alternative to timber. This low load-bearing solution is designed to be installed directly onto a solid, flat concrete base.

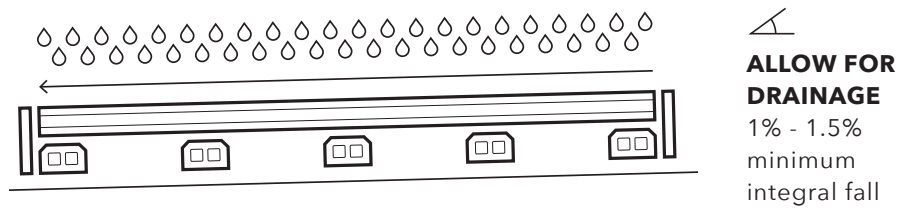
## CONCRETE FOUNDATIONS

Composite joists need a solid concrete foundation to fix to. Your concrete base should have a minimum thickness of 100mm and have a slight incline to allow for drainage away from the property. You may also wish to add drainage holes to the base. We recommend an 80mm hole every 4 square metres (4m<sup>2</sup>).

Your first fixing should be approximately 80mm from the edge of the joist. Continue to attach the joist at 500mm centres down the length of the joists using suitable expanding fixings.

## INSTALLING COMPOSITE JOISTS

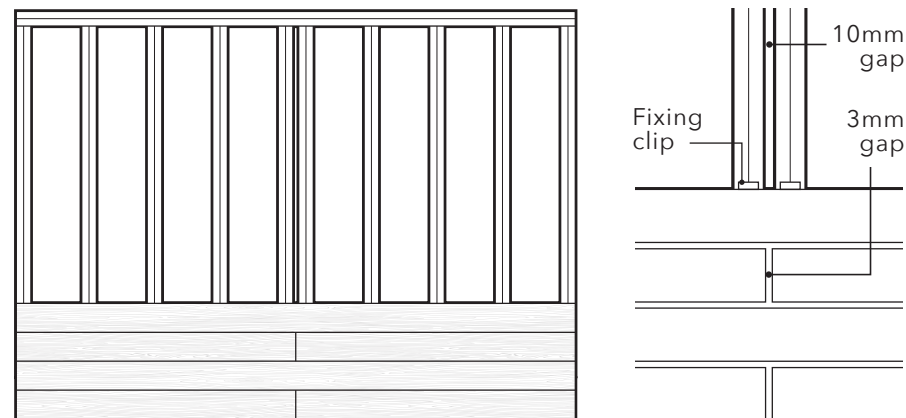
Composite joists are designed to be installed directly on top of a suitable flat, prepared concrete base, with an integral fall of 1%-1.5% minimum for drainage.



Begin laying your joists directly onto your concrete base. The spacing's (or centres) of your joists should be 250-300mm max and should run at right angles to the direction of your deck boards. Unless using an angled decking design.

Ensure that your joists are orientated with the guidance channel facing upwards before attaching them to the concrete base (this will assist with screwing and water drainage).

A gap of approximately 10mm gap should be left between any walls, fixed objects and joins in joist's allowing for expansion. Double joists are required where you expect deck boards to meet at butt-joints. 3mm gaps between board joins should also be allow for expansion.



## ALTERNATIVE SUB FRAME OPTIONS

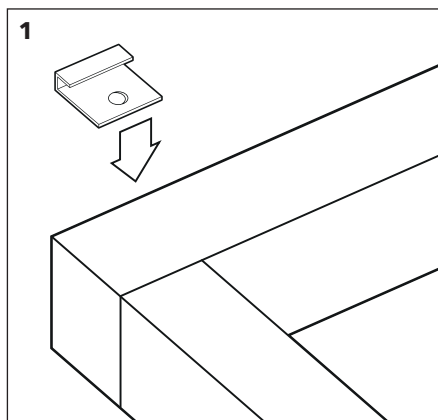
Timber joists should be fixed to a secure post in a concrete foundation or similar. Allur are unable to accept any liability for the installation of inadequate sub-frames. The contractor should ensure the frame is adequately prepared.

**JOIST SPECIFICATION:** Decking can be fixed to pressure treated softwood timber joists (Grade C16 - EN14081 or similar) depending on design requirements. - Joists should be fixed into position at 300mm centres using suitable A4 stainless steel countersunk wood/ masonry screws. All joists need to fixed in a minimum of 3 places.

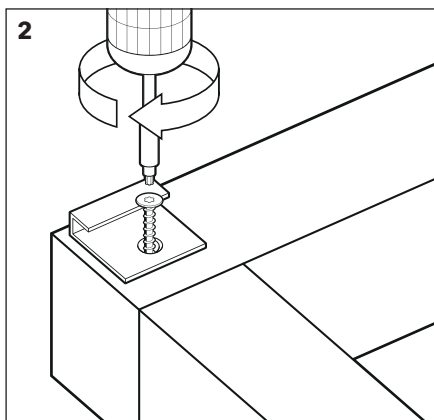
Please note decking designs above 300mm from the ground may need planning permission. Please check with your local planning authority for up to date advice. [www.planningportal.co.uk](http://www.planningportal.co.uk)

## INSTALLING DECK BOARDS

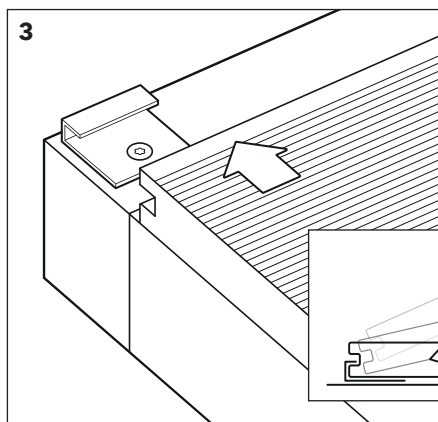
Once your sub frame is in place and your joists are laid at 250-300mm centres, you are set to begin installing your deck boards. Starting at the outside edge of the decking project, begin attaching Starter Clips to the edge of your framework using the steel screws provided.



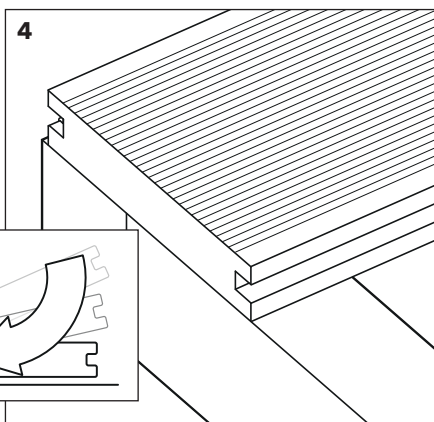
1 Position a starter clip at the intersection of each joist.



2 Ensure all starter clips are securely fixed into place.

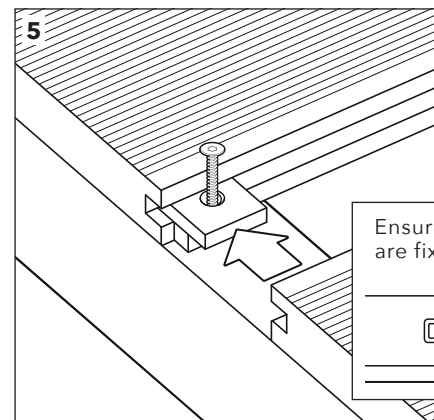


3 Align the grooved channel of the decking boards with the clips.

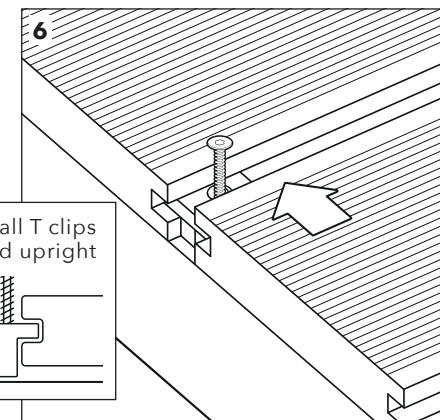


4 Insert the decking into the clips at a slight angle and push into place.

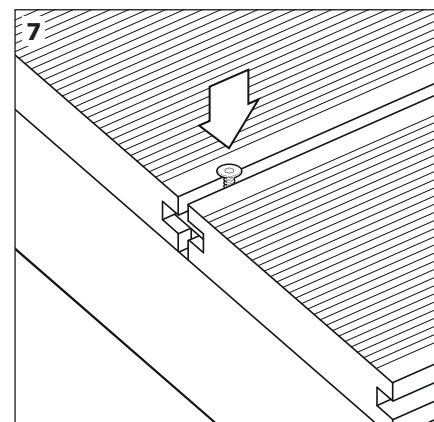
Once your first row of deck boards are in place, use our T clips to fix all subsequent boards to the sub frame. Secure the clip into place by screwing through the counter-sunk hole into the joist below, leaving the clip 3-4mm from the joist (**to be tightened later**). As you insert your deck boards into each T clip, ensure each boards edge contacts the spacer tab, lightly tap into position if required.



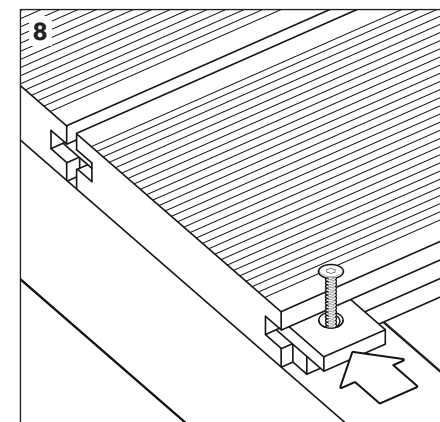
5 Attach a T clip at every intersection between a board and a joist.



6 Insert the decking into the T clip at a slight angle and push into place.

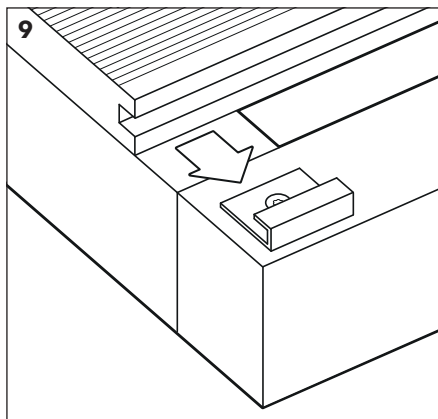


7 Once in position, tighten the screws in the T clips between the boards.

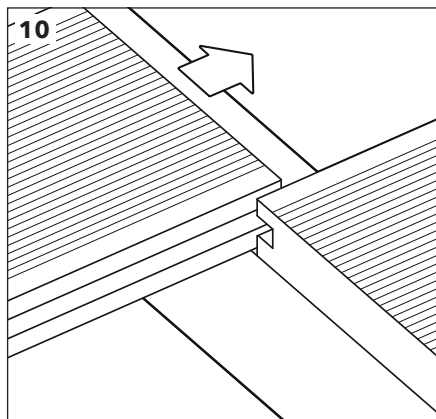


8 Repeat this process to fix subsequent boards

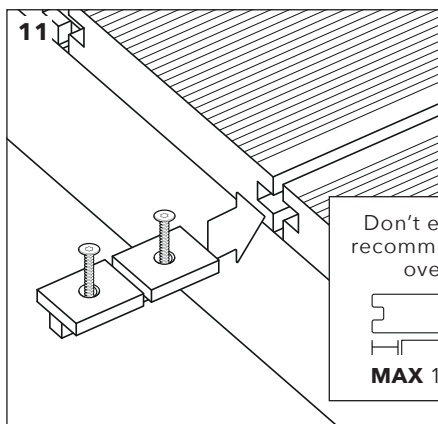
Repeat the steps, tightening the screws in the T clips along the way, until you have reached the final 2 boards, the last board can be fixed by fixing starter clips in place, offering the last board in 1st and then offering the 2nd board in place and simply sliding T clips into place as per the following images and tightening the screws. Please ensure the end boards are supported and don't overhang by more than 10mm.



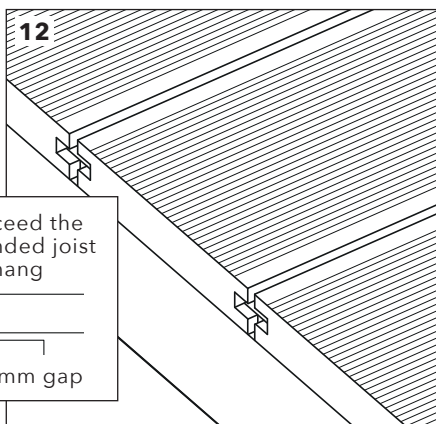
Once you reach the final 2 boards, place the last board in first.




Before offering the second board into the gap remaining.



Slide the T clips into place and tighten the remaining screws.

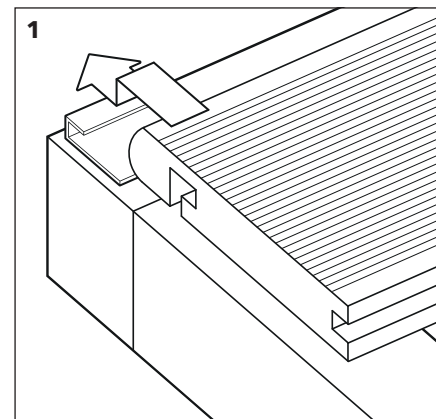


Enjoy your newly installed decking.

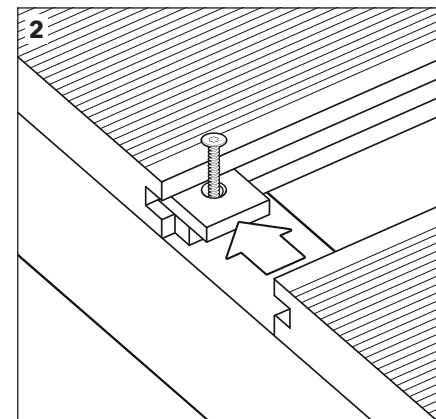
Don't exceed the recommended joist overhang  
  
**MAX 10mm gap**

## INSTALLING STARTER DECK BOARDS

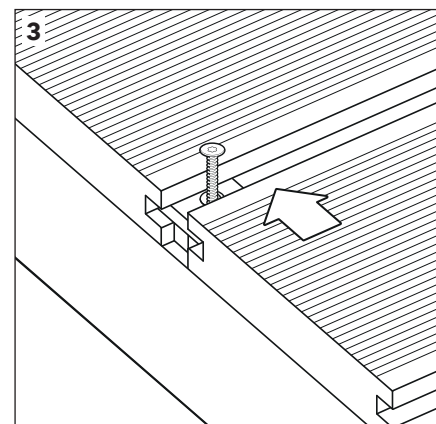
Starter decking boards can be used to complete the front edge of your decking or steps. It can also be used to add features such as "picture framing". If you are using Starter decking for your front edge simply place the starter clips as normal and follow the guides below.



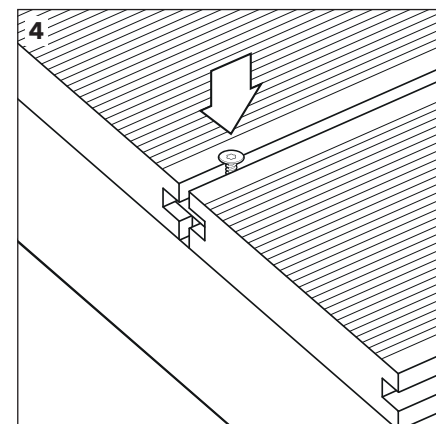
Apply starter clips as normal and push the Starter board into place.



Insert the 2nd board as normal with T clips at every intersection.



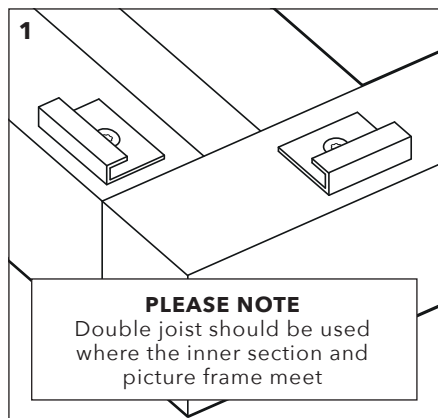
Insert the decking into the T clip at a slight angle and push into place.



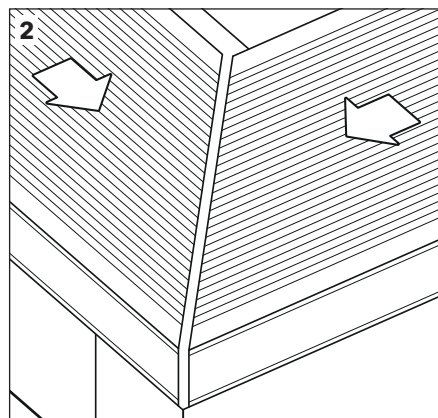
Tighten the screw and repeat the process as per previous guides.

## INSTALLING "PICTURE FRAME" DECKING

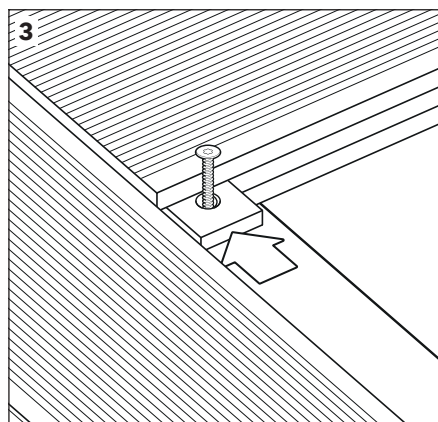
As the name suggest this creates a border for your decking to sit within. Picture framing needs to be considered at the planning stage of the project as additional spans of sub frame with need to be incorporated into the design for correct support.



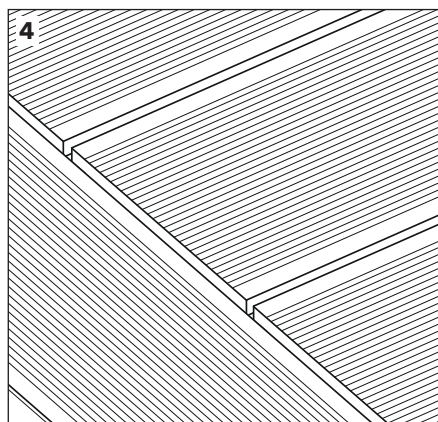
Install the starter clips around the edge of the "Picture frame" sub frame.



Cut the corner boards at 45 degree angles and push into place.



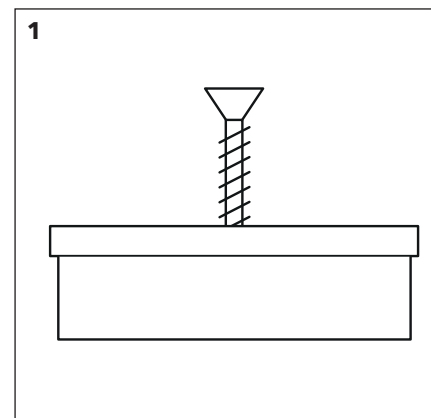
Insert the inner boards as normal with T clips at every intersection.



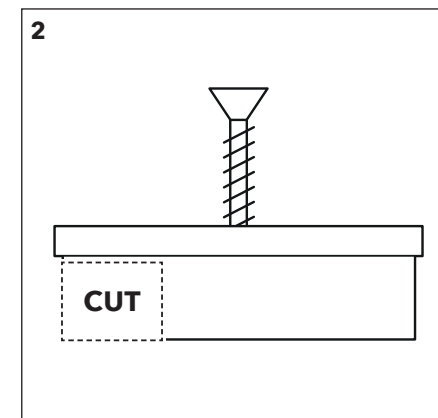
Repeat the inner board installation process as per previous guides.

## INSTALLING DECKING TOP TIP

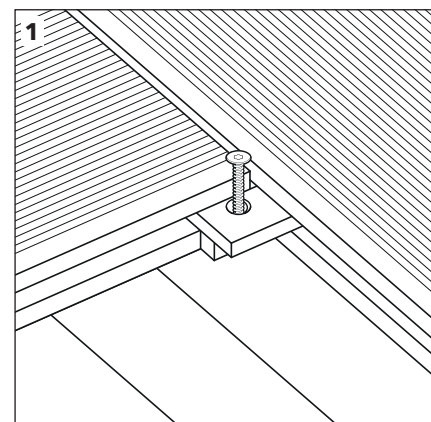
To secure areas where boards meet perpendicular, cut a 6mm section from the lug on the T clip using a fine hacksaw.



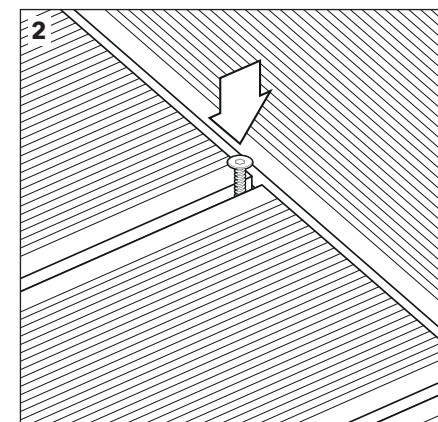
Where boards meet perpendicular take a standard T clip.



Carefully cut a 6mm section out of the lug using a fine saw.



Insert the put T clips at intersections where boards meet perpendicular.

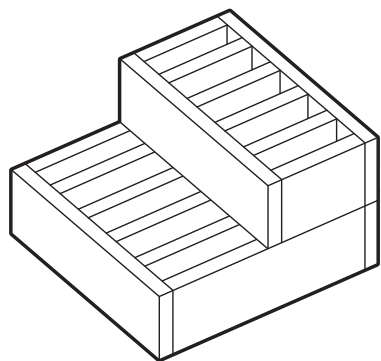


Tighten the screw and repeat the process as per previous guides.

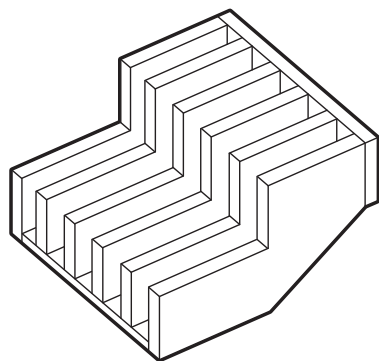


## INSTALLING DECKING STEPS

There are two ways to add steps to your project, making a box frame or using a stringer. The rise of the step should not exceed 190mm. The tread of the step must be between 250-450mm deep.



**BOX-FRAMED STEPS**



**STRINGER STEPS**

### BOX-FRAMED STEPS

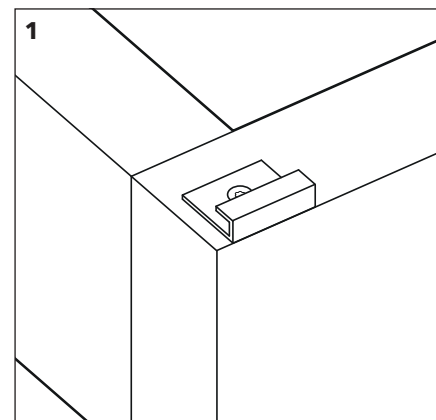
Box-framed steps are a series of boxes that are stacked on top of one another to form a run of steps.

Form a box framework and infill with timber joists at 250mm centres. Secure the box-frame to the decking sub frame at every intersection using appropriate fixings. Post's might need to be added and secured as per your main sub frame for additional structural support.

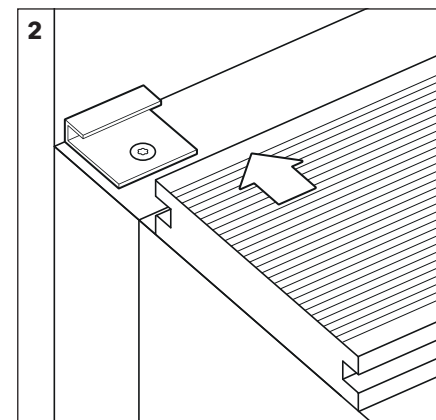
### STRINGER STEPS

Stringer Steps are typically formed out of pressure treated timber to form the rise and tread. Fix the stringer steps at the base of the steps, Post's might need to be added and secured as per your main sub frame for additional structural support. Attach the steps with a base plate and attach to the joists.

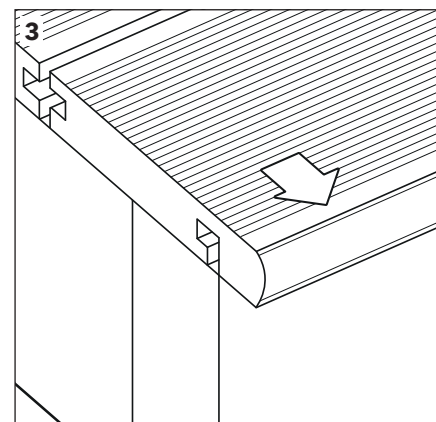
Once the frame of your steps are in place, decking boards can be installed with standard board used at the rear and Starter boards used to complete the front edge. Sliding T clips into place as per general installation and tightening the screws. Repeat the simple process across each tread of your steps. Once all your treads are complete matching fascia boards offer an ideal way to cover the riser.



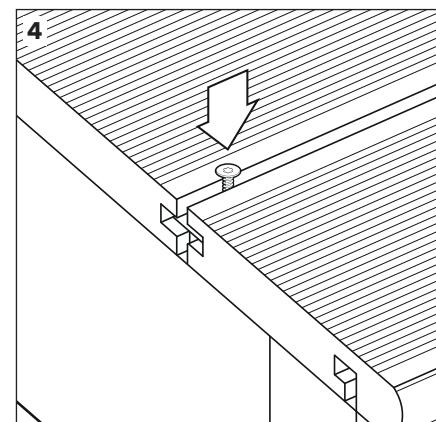
1 Install starter clips at the edge of both ends of the step.



2 Insert the back decking board into the rear starter clip.



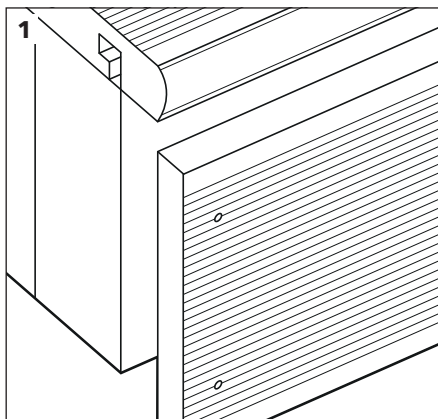
3 Then offer the Starter decking board to the front of the step.



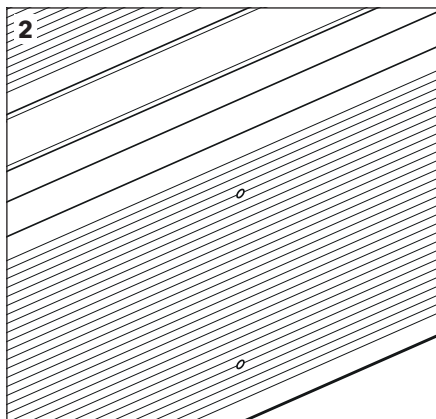
4 Slide the T clips into place and tighten the remaining screws.

## INSTALLING FASCIA BOARDS

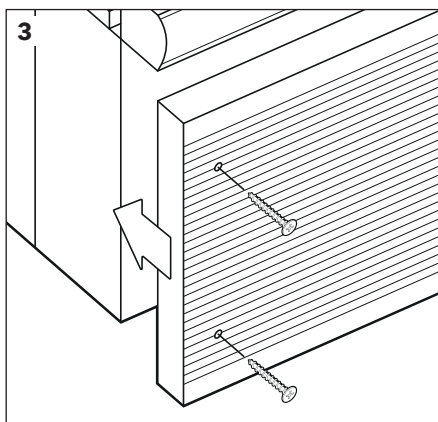
Front facing areas of the decking can be finished with fascia boards, fascia boards can be screwed directly into joists or deck boards. When joining one trim to another, a minimum gap of 2mm should be left between trim ends allowing for expansion.



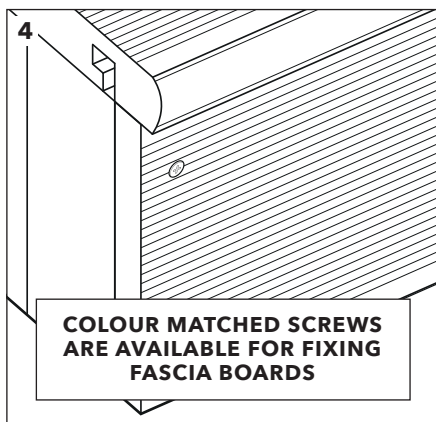
1 Drill a 3mm pilot hole keeping 30mm from the end of the fascia.



2 Continue with pilot holes at 300mm intervals down the fascia.



3 Screw the fascia into place with coloured matching screws.

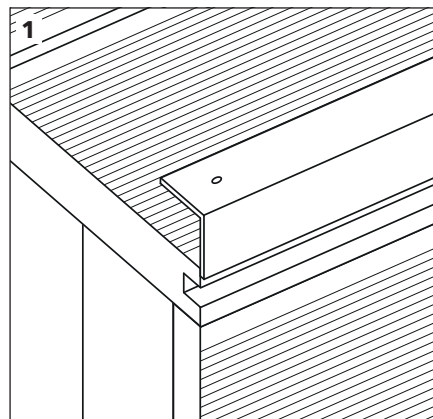


4 Repeat the process down the fascia until fixed in place.

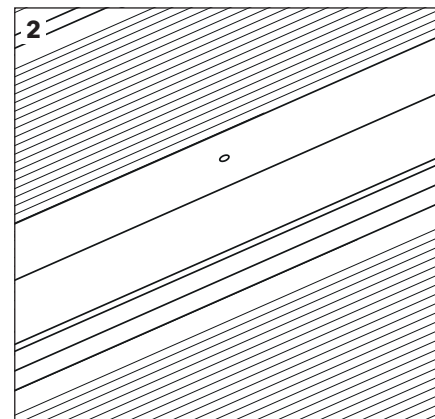
**COLOUR MATCHED SCREWS ARE AVAILABLE FOR FIXING FASCIA BOARDS**

## INSTALLING CORNER EDGING STRIPS

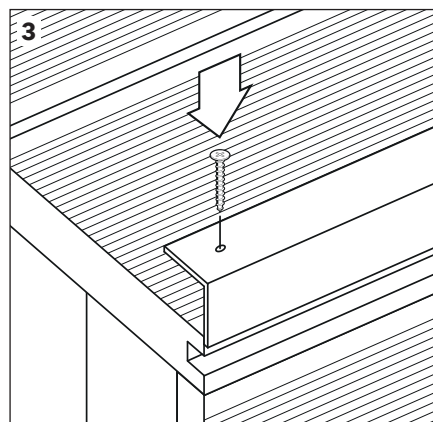
Edges of the decking boards and fascia trims can be finished with corner edging strips, these can be screwed directly into the deck boards. When joining one trim to another, a minimum gap of 2mm should be left between trim ends allowing for expansion.



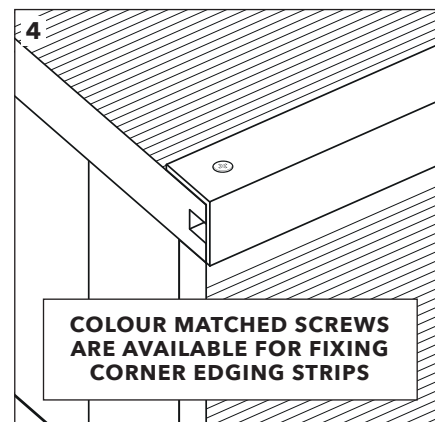
1 Drill a 3mm pilot hole keeping 30mm from the end of the edging strip.



2 Continue with pilot holes at 300mm intervals down the edging strip.



3 Screw the edging strip into place with coloured matching screws.

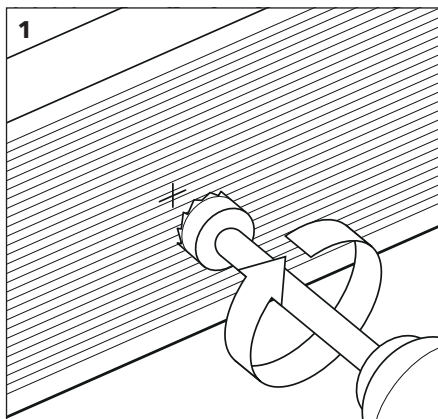


4 Repeat the process down the corner edging strip until fixed in place.

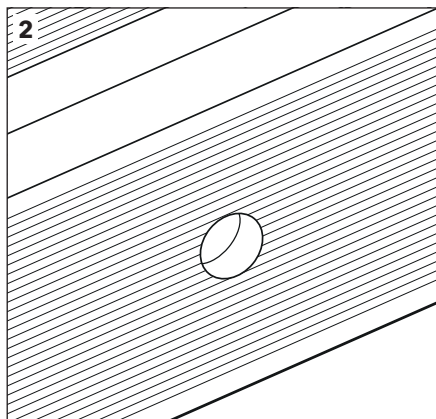
**COLOUR MATCHED SCREWS ARE AVAILABLE FOR FIXING CORNER EDGING STRIPS**

## INSTALLING DECKING LIGHTS

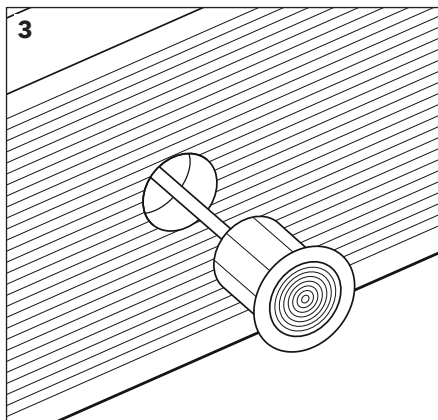
A great way to show off your new project is lighting, all Allur decking components are safe to be used with after-market lighting kits, please check with your contractor as they should be installed during construction stages of the decking and may need to be connected by a qualified electrician.



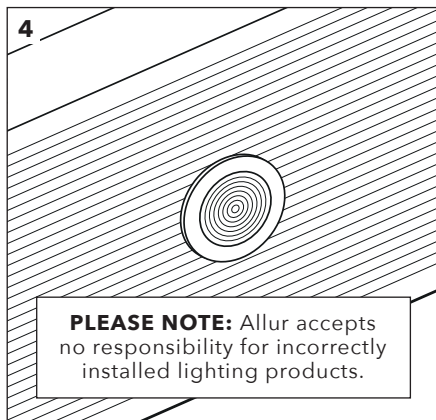
Using a Forstner or Spade bit, drill a recess hole to suit the light modules.



Avoid locations over joists where possible to reduce drilling issues.



Follow the installation instructions included with your chosen lights.



Fix your chosen lights in place and enjoy your decking day or night.

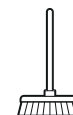
**PLEASE NOTE:** Allur accepts no responsibility for incorrectly installed lighting products.

## CLEANING & MAINTENANCE

Before you begin cleaning your Allur composite deck, make sure you have the following available:



WASHING UP LIQUID/SOAP



NYLON BROOM OR BRUSH  
(Medium stiffness)



BUCKET OF WARM WATER

## DAY TO DAY

- 1 Remove all furniture and accessories. This ensures nothing gets in the way or damaged during the cleaning process.
- 2 Sweep the floor with the broom to remove any loose debris. Before you apply water, make sure all loose dirt and leaves are removed.
- 3 Once the surface is swept, rinse the floor with warm water. This prepares the surface for the washing up liquid/soap.
- 4 Prepare a solution of warm water and washing up liquid/soap. The concentration should be similar to washing dishes in a sink.
- 5 Dunk the brush head into the bucket and start cleaning your deck. Scrub the whole floor with the soap/water solution, using good pressure to get into the grooves and clear away difficult dirt and grime. **Working in the direction of the planks NOT across them.**
- 6 When you are finished carefully scrubbing the composite decking, rinse away the remainder of the soap/water and any leftover dirt.

## **CLEANING ALLUR COMPOSITE DECKING OF COMMON STAINS & PROBLEMS**

Over time, your composite decking will probably need to be cleaned from common problems such as mold, dirt, food and beverage stains, etc. Here are the best ways to remove common problems from your decking:

### **GENERAL DEBRIS**

Leaves, small twigs, and other items often accumulate on a deck, especially if trees are nearby. This general debris does not hurt the decking, but it can be a breeding ground for mold if it gets wet. The best way to avoid this, and to keep your deck looking clean, is to sweep off debris as necessary.

### **MILDEW AND MOLD**

While mildew and mold can infiltrate and ruin a wooden deck, it can't damage an Allur composite deck. They look unsightly on your deck, but it won't harm or ruin the composite structure. The best way to clean mildew and mold from composite decking is by using the soap-and-water method mentioned in the previous Day to Day operation.

### **DIRT BETWEEN DECKING GROOVES**

The small grooves and spaces between the decking sometimes trap dirt and grime over time. If this begins to build up, start with the soap-and-water method mentioned in Day to Day. If this doesn't remove the grime between the boards, then use a pressure washer. Use a fan tip, use no more than 1,500 PSI, keeping 8 inches or 200mm from the surface of the decking to avoid unwanted damage.

### **FOOD AND BEVERAGE STAINS**

Believe it or not, the vast majority of food and drink stains can be wiped away with a dry paper towel, including the dreaded red wine stains! If a paper towel doesn't clean the food or beverage stain from your deck, then the simple soap-and-water method from the Day to Day operation should remove it. This is where Allur composite decking shines - on a wooden deck, these stains can be permanent, but cleaning food and drink stains from Allur composite deck is really that easy!

### **OIL AND GREASE**

Whether you have an outdoor kitchen or portable grill, many people enjoy cooking and preparing food on their decked area. This means some oil or grease may occasionally end up on the deck surface. Oil and grease should be removed quickly to avoid permanent staining. To clean oil and grease off composite decking, use the soap-and-water method. If done quickly, this removes the oil and grease without leaving a stain.

**Please ensure hot coals or metal bases from BBQ's are not in direct contact with your Allur composite deck.**

### **POLLENS**

Depending on the plants close to your deck, you may see a thin coating of pollen on your deck. Thankfully, pollen doesn't cause long-term damage, but it should still be removed quickly. The best way to get rid of pollen from Allur composite decking is the simple soap-and-water method from the Day to Day operation to remove it.

## **HOW TO POWER WASH COMPOSITE DECKING**

Use a fan tip on your pressure washer system. This ensures the spray is not concentrated enough to damage the deck's surface.

**Never exceed 1,500 PSI** when pressure washing your deck. You don't want to damage or score (leave small cuts) on your beautiful deck surface. Keep a safe distance between the power washer and the deck surface.

**We recommend staying a minimum of 8 inches or 200mm away from the surface.** This should be enough to remove any dirt without damaging the Allur composite decking.

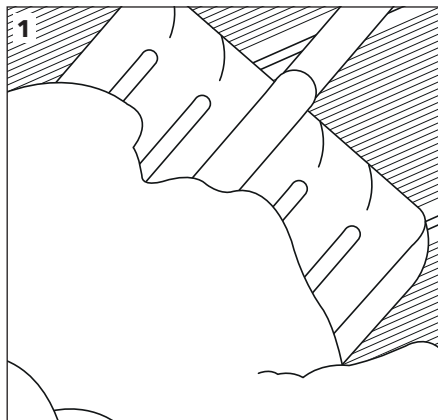
Clean with the grain of the individual boards. When power washing your deck, direct the spray to match the grain. This helps prevent accidentally scoring or marking the surface by going against the grain or by crossing over several boards.

## HOW TO REMOVE SNOW & ICE FROM COMPOSITE DECKING

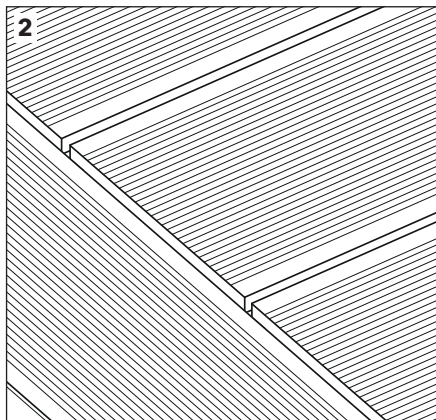
While you won't use your deck regularly during the winter season, you probably still want to clean pathways to make it safe to walk. To remove snow and ice from your Allur composite deck, you **DO** want to make sure you use tools and products that won't damage the deck surface. To avoid damage, make sure you use a shovel with a plastic or rubber edge. This removes the snow safely without scraping or harming the deck's surface.

Calcium-chloride ice melts are usually safe for Allur composite decking and our recommended solution. This compound is highly effective at melting ice without damaging the composite surface. It also does not hurt pets if accidentally ingested.

**Please Note: We do NOT recommend using traditional sodium chloride rock salt or sand. These granules tend to leave unattractive and permanent marks on composite decking.**



Make sure you **ONLY** use a shovel with a plastic or rubber edge.



This removes the snow safely without scraping or harming the surface.

## HOW NOT TO CLEAN YOUR DECKING

Depending on the stain or cleaning issue you have, you may be tempted to apply a chemical cleaner to the stain to clean your deck.

**This is never a recommended solution for cleaning Allur composite surfaces!**

Remember - composite materials clean easier and better than the traditional wood deck, and using the soap-and-water method from the Day to Day operation should remove most surface stains. Harsh chemicals, such as bleach, are **NOT** recommended on any Allur composite surface! These chemicals can eat away at the composite structure and leave permanent discolorations and damage.

## NOTE ON FURNITURE AND ACCESSORIES

Please ensure all furniture feet are not sharp, perhaps even apply felt or rubber furniture pads to the feet to avoid possible scratching occurring whilst moving items. Do not drag heavy items across the surface and occasionally moving furniture and large accessories like planters, will ensure an even exposure to the surface of your Allur decking.

## DISCLAIMERS

### ANTI SLIP

Allur decking is classed as a low slip potential even in the wet (ptv rating 53)

### PLANNING PERMISSION / BUILDING REGS

- 1 It is the property owner's responsibility to find out before work commences. Always check with the local planning department first if:
- 2 The deck platform is more than 300mm from the surrounding ground. The deck platform is intended to occupy more than 50% of the garden area, taking extensions and out buildings into account.

Building control consent applies to any construction work that requires planning consent. Visit the government planning portal for more information [www.planningportal.co.uk](http://www.planningportal.co.uk) and search for decking.



The background of the entire page is a detailed, light-colored wood-grain texture, showing natural wood grain patterns and knots.

# **ALLUR**

LONG-LASTING COMPOSITE DECKING

**[WWW.ALLUR.CO.UK](http://WWW.ALLUR.CO.UK)**